



JUSTICE SERIES - LJ6

Progressive Cavity Hopper Pump



Justice LJ6



10-23
GPM

0-225
PSI

Features

- Large Hopper
- Welded Auger
- Hardened Joints
- Packing or Mechanical Seal
- 3-Stage Options
- Steel or Stainless Steel

Materials

Rotor: Tool or Stainless Steel - Chrome-Plated

Stator: Buna, Rubber, Viton™, EPDM

Motor: 1.5, 2, 3, and 5 hp

Inlet: 14.5" x 8"

Outlet: 2-1/2"

Bases: Steel and Stainless Steel

Pump Description

The Liberty Justice LJ6 Series Open Hopper Progressive Cavity Pump represents an ideal pumping solution for viscous solutions with high solids contents such as rendering plant wastes in the poultry, pork and beef industry. Flow rates of 5.20 GPM per 100 Revolutions (10 GPM to 23 GPM) at 225 PSI are standard through the range of the series. The Justice Series offers a design of a heavy-duty auger mated to a rotor and stator for the most difficult pumping applications available today.

The large rectangular feed hopper design easily accommodates your pumping medium while the non-pulsating design of the product produces a low-shear flow that conveys your medium along effortlessly. Solids in suspension of up to 50% are accommodated by the Auger design.

The modular design of the Justice Series Open Hopper Progressive Cavity pump is a hardened pinned-joint drive assembly with a body available in steel or 316 stainless steel and internal wetted components in either stainless steel or hardened tool steel with hard chrome plating for long-life and durability in abrasive pumping applications.

Rotors and Stators for the Justice Series are available in 1, 2, and 3 stages for applications with 75, 150, and 225 PSI discharge pressures with stators available in Buna Nitrile, Viton, EPDM and Natural Rubber. The standard seal design is a set of packing with a lantern ring and flush connections. mechanical Seal options are readily available.

The Liberty LJ6 Progressive Cavity Pump parts are direct aftermarket replacements that dimensionally interchange with the Moyno™ J6 Series, and the Tarby™ TJ6 Series.*

Contact a Liberty Process representative today for more information about the Justice Series

Curves

Click Links Below

1-Stage
1LJ6

2-Stage
2LJ6

3-Stage
3LJ6

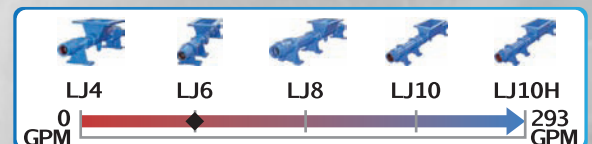
Drawings

Click Links Below

1-Stage
1LJ6

2-Stage
2LJ6

3-Stage
3LJ6



LJ4

LJ6

LJ8

LJ10

LJ10H

0 GPM

293 GPM

P: 847.640.7867 F: 847.640.7855

2525 Clearbrook Drive Arlington Heights, IL 60005

www.libertyprocess.com

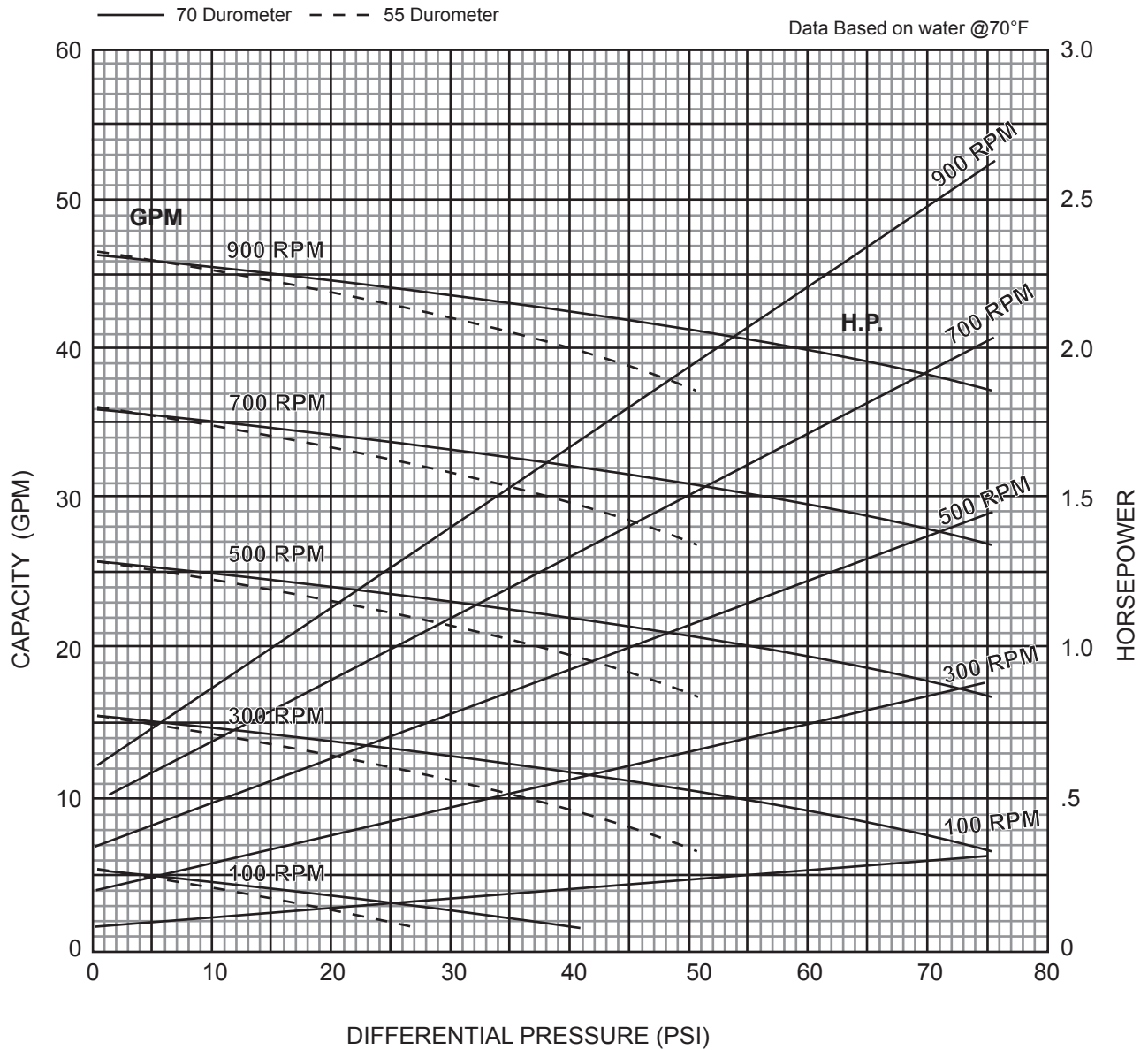


JUSTICE SERIES - 1LJ6

Progressive Cavity Pump

Performance Curves

RPM	100	300	500	700	900
NPSH REQ'D	.6	1.7	2.9	4.1	6.9
MIN. HP	1/3	3/4	1	1-1/2	2



1 Stage Pump

BACK TO TOP

P: 847.640.7867 F: 847.640.7855
2525 Clearbrook Drive Arlington Heights, IL 60005

www.libertyprocess.com

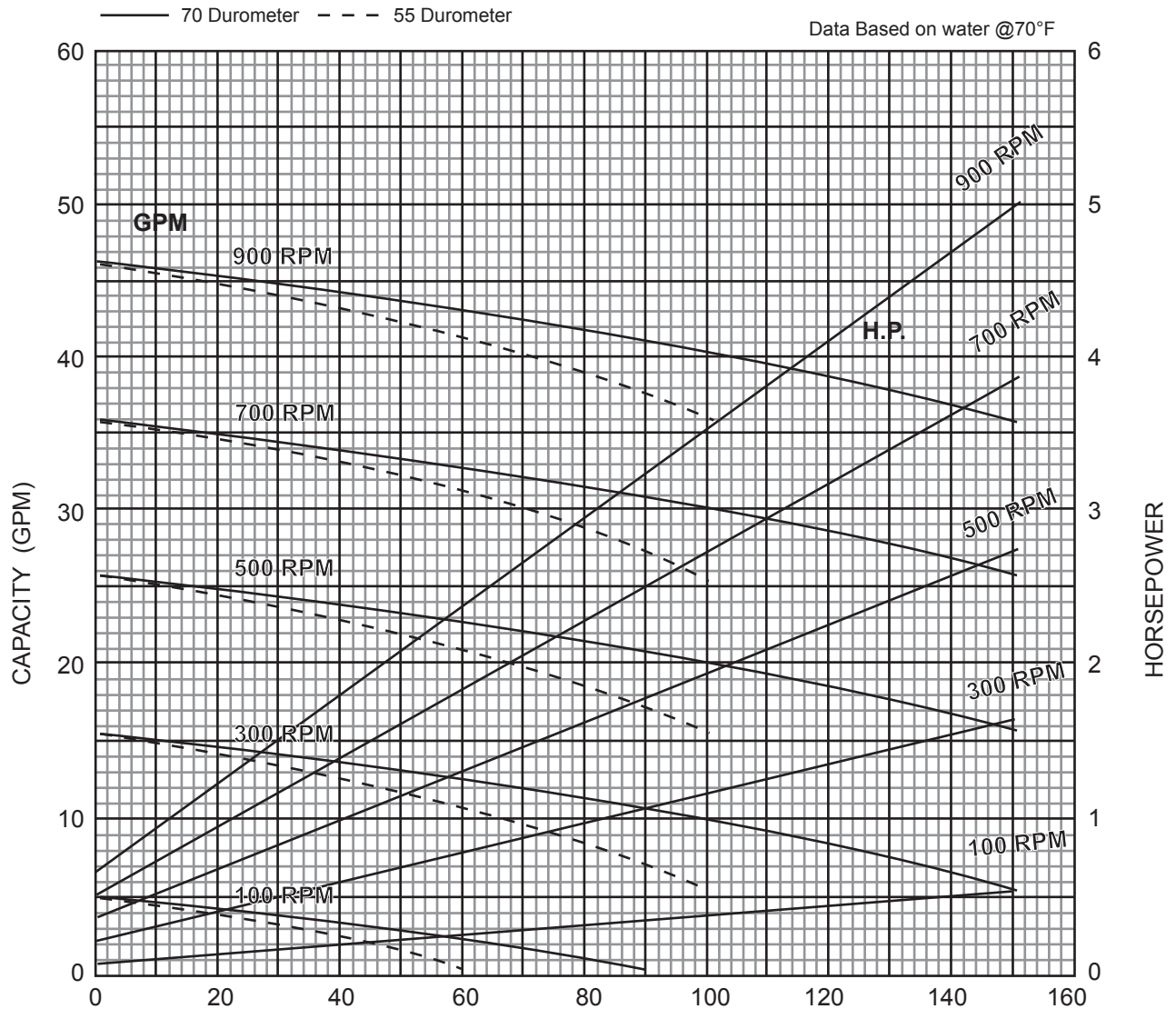


JUSTICE SERIES - 2LJ6

Progressive Cavity Pump

Performance Curves

RPM	100	300	500	700	900
NPSH REQ'D	.6	1.7	2.9	4.1	6.9
MIN. HP	1/2	1-1/2	2	3	3



2 Stage Pump

BACK TO TOP

P: 847.640.7867 F: 847.640.7855
2525 Clearbrook Drive Arlington Heights, IL 60005

www.libertyprocess.com

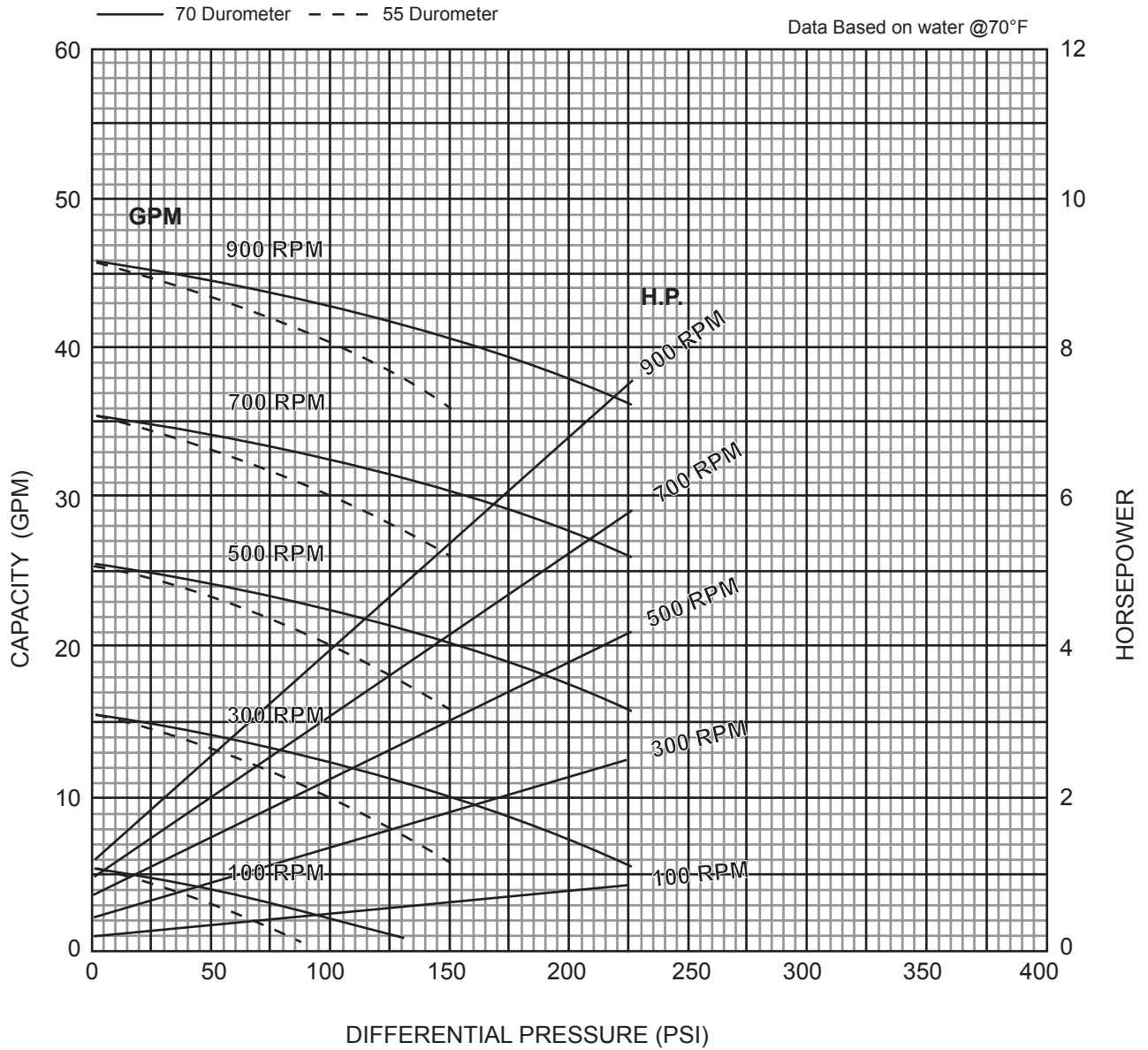


JUSTICE SERIES - 3LJ6

Progressive Cavity Pump

Performance Curves

RPM	100	300	500	700	900
NPSH REQ'D	.6	1.7	2.9	4.1	6.9
MIN. HP	1	2	3	5	5



3 Stage Pump

BACK TO TOP

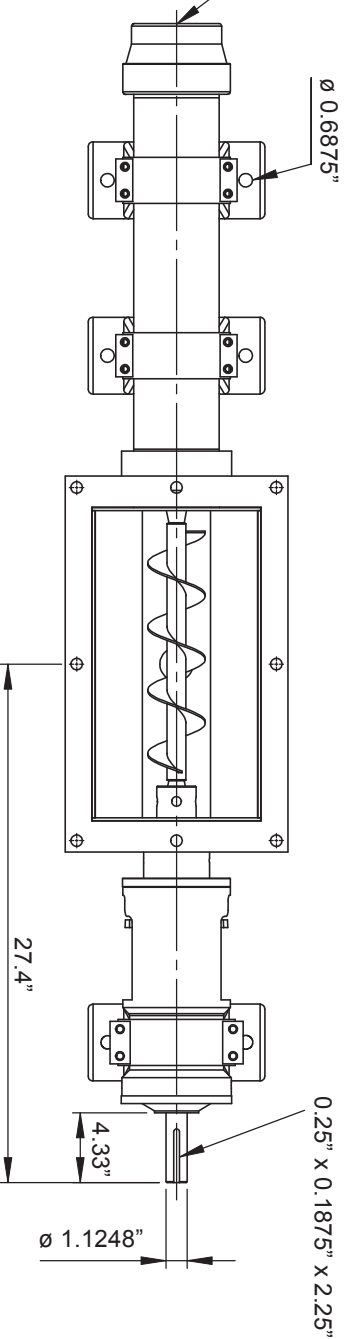
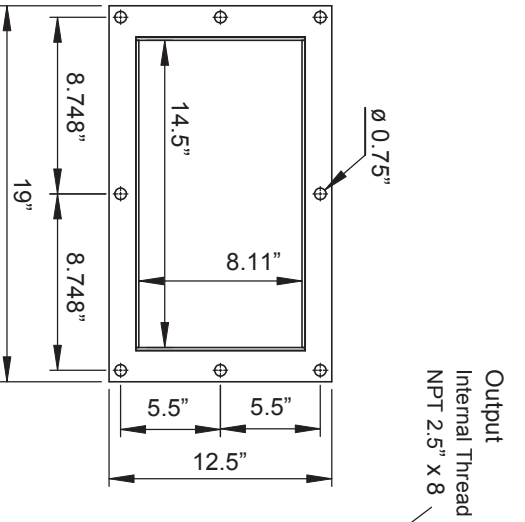
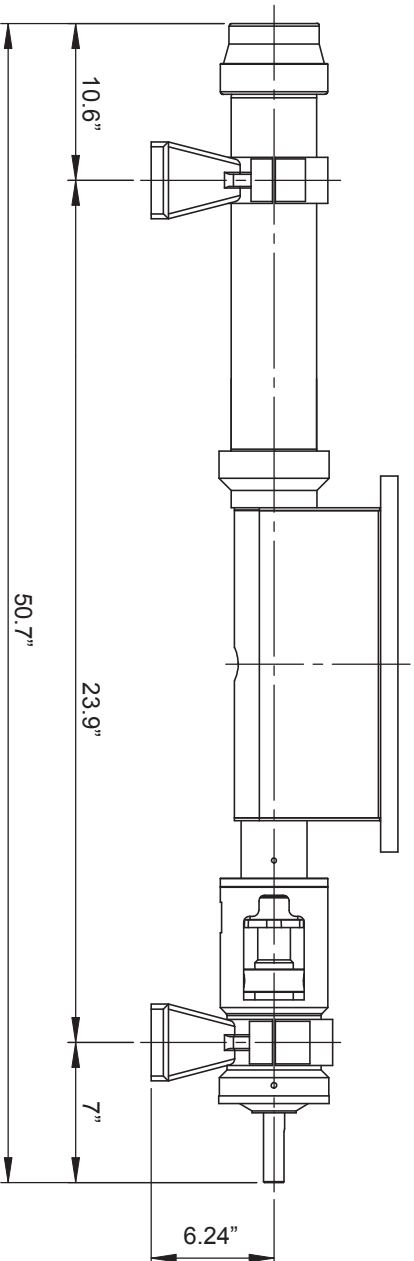
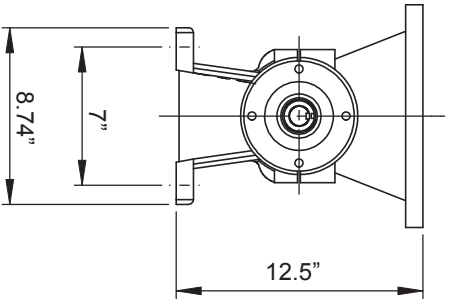
P: 847.640.7867 F: 847.640.7855
 2525 Clearbrook Drive Arlington Heights, IL 60005

www.libertyprocess.com



JUSTICE SERIES - 1LJ6

Progressive Cavity Pump
Dimensional Drawings



BACK TO TOP

1 Stage Pump

ALL DIMN: Inches

Net weight

≈ lbs.

-

P: 847.640.7867 F: 847.640.7855

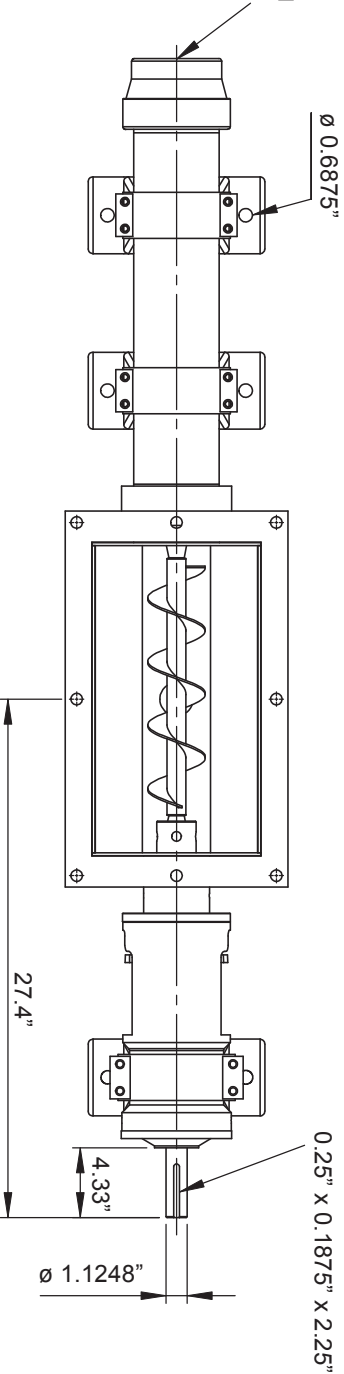
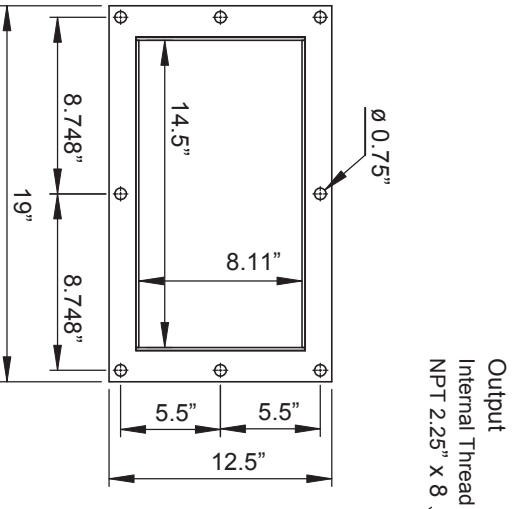
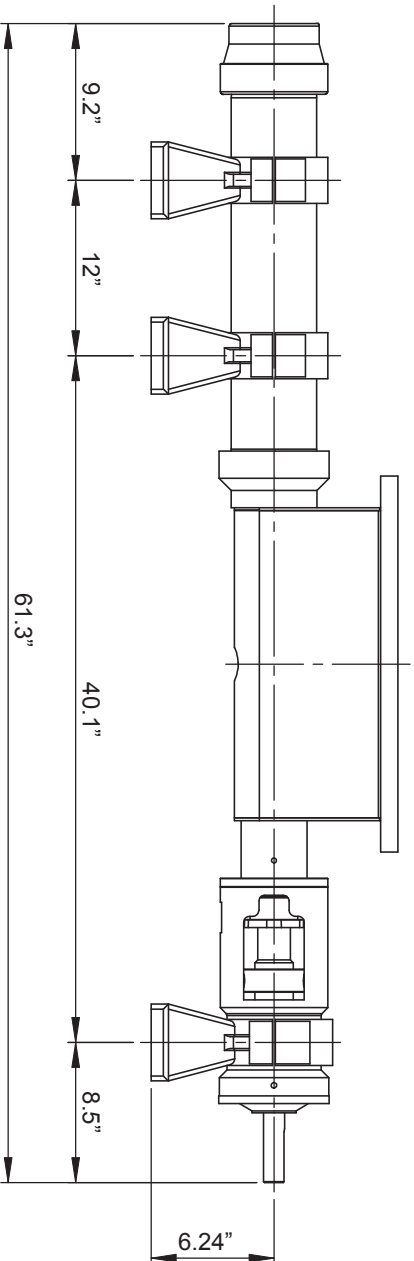
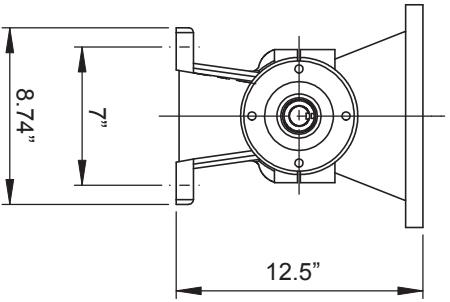
2525 Clearbrook Drive Arlington Heights, IL 60005

www.libertyprocess.com



JUSTICE SERIES - 2LJ6

Progressive Cavity Pump
Dimensional Drawings



BACK TO TOP

ALL DIMIN: Inches

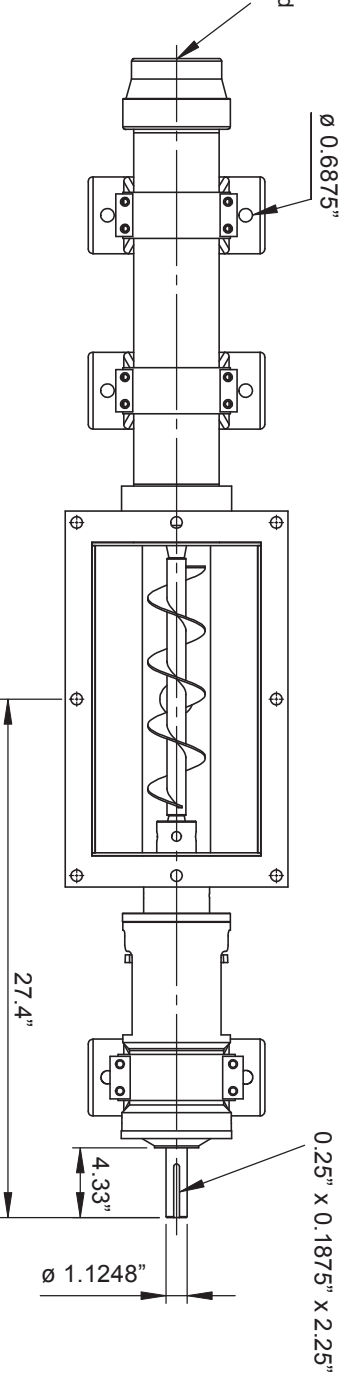
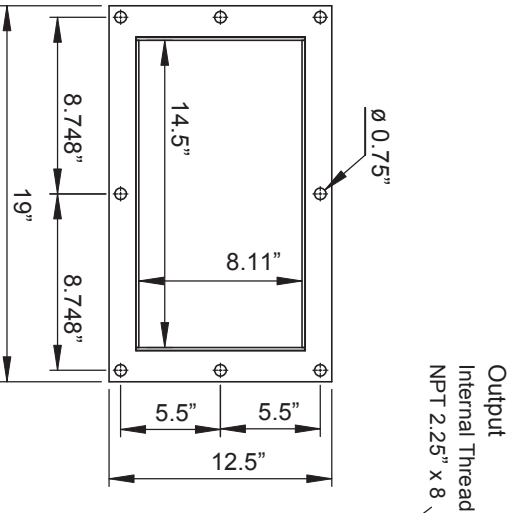
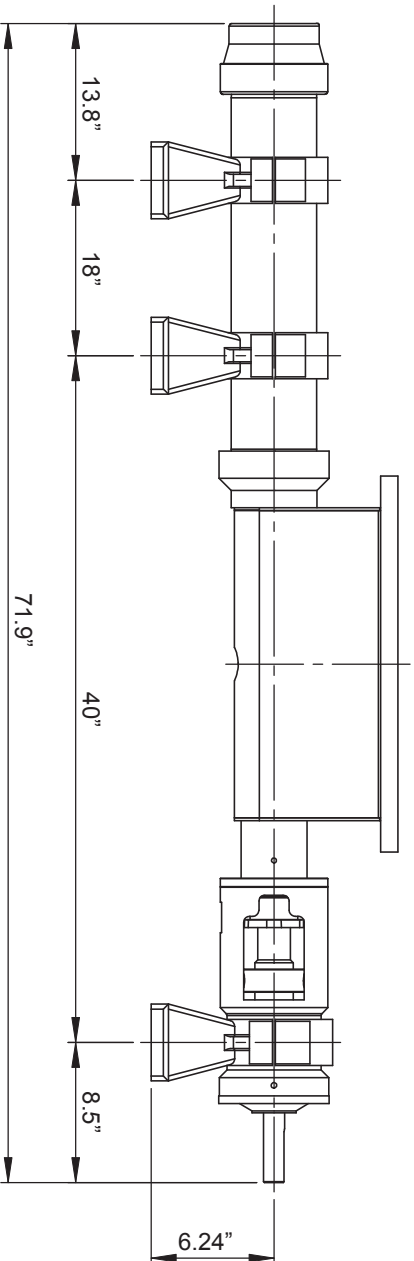
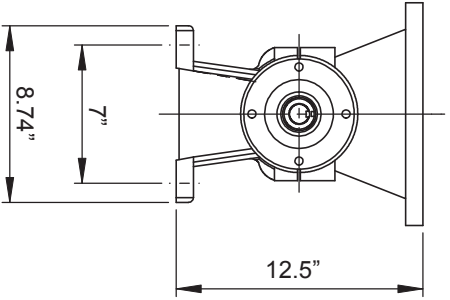
Net weight	
≈ lbs.	-

2 Stage Pump



JUSTICE SERIES - 3LJ6

Progressive Cavity Pump
Dimensional Drawings



BACK TO TOP

ALL DIMIN: Inches

Net weight	
≈ lbs.	-

3 Stage Pump

P: 847.640.7867 F: 847.640.7855
2525 Clearbrook Drive Arlington Heights, IL 60005
www.libertyprocess.com